




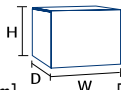

**Scale Ice
Makers Units**

**Unité de
Production
de Glace
en Ecailles**

**Scherbeneis
Produktions-
einheit**

**Fabricador
de Hielo
en Escamas**

**Unità di
Produzione
Ghiaccio
in scaglie**

| |  |  |  |  |  |
|----------|---|---|---|---|---|
| | Fresh Water | [kg] [lbs] | [v/Hz/ph] | [WxDxH mm] [WxDxH inches] | |
| EVE 201 | Fresh Water | 1400 - 1900 3090-4190 | 400/50Hz/3ph 230/60Hz/3ph | 1250x1050x1340 49 1/4" x 41 3/8" x 52 3/4" | R 404a/R22 |
| EVE 301 | Fresh Water | 2100 - 2900 4630-6390 | 400/50Hz/3ph 230/60Hz/3ph | 1250x1050x1540 49 1/4" x 41 3/8" x 60 5/8" | R 404a/R22 |
| EVE 401 | Fresh Water | 3400 - 4000 7500-8820 | 400/50Hz/3ph 230/60Hz/3ph | 1250x1050x1770 49 1/4" x 41 3/8" x 69 5/8" | R 404a/R22 |
| EVE 651 | Fresh Water | 5000 - 6200 11020-13670 | 400/50Hz/3ph 230/60Hz/3ph | 1440x1350x1750 56 3/4" x 53 1/8" x 68 7/8" | R 404a/R22 |
| EVE 801 | Fresh Water | 6500 - 7700 14330-16970 | 400/50Hz/3ph 230/60Hz/3ph | 1440x1350x1950 56 3/4" x 53 1/8" x 76 3/4" | R 404a/R22 |
| EVE 1001 | Fresh Water | 8500 - 10000 18740-22040 | 400/50Hz/3ph 230/60Hz/3ph | 1500x1700x1990 59" x 66 7/8" x 78 3/8" | R 404a/R22/R717 |
| EVE 1301 | Fresh Water | 10000 - 12500 22040-27550 | 400/50Hz/3ph 230/60Hz/3ph | 1500x1700x2290 59" x 66 7/8" x 90 1/8" | R 404a/R22/R717 |
| EVE 1501 | Fresh Water | 13500 - 15000 29760-33060 | 400/50Hz/3ph 230/60Hz/3ph | 1500x1700x2490 (*) 59" x 66 7/8" x 98" | R 404a/R22/R717 |
| EVE 2401 | Fresh Water | 20500 - 23000 45180-50690 | 400/50Hz/3ph 230/60Hz/3ph | 2250x2100x2725 (*) 88 5/8"x82 5/8"x 107 1/4" | R 404a/R22/R717 |

*It is possible to reduce height by removing and relocating the water reservoir

1

**Years Warranty
Ans de Garantie
Jahre Garantie
Años de Garantía
Anni di Garanzia**

Subject to certain limitations and exclusions
Assujettie aux limites et exclusions prescrites
Abhängig von Bestimmten Einschränkungen und Ausnahmen
Sujeta a algunas limitaciones y exclusiones
Soggetta ad alcune limitazioni ed esclusioni

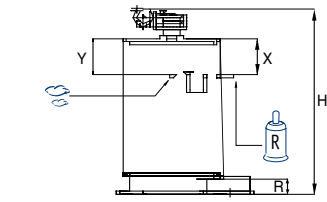
CE
0474

This product qualifies for the following listings:

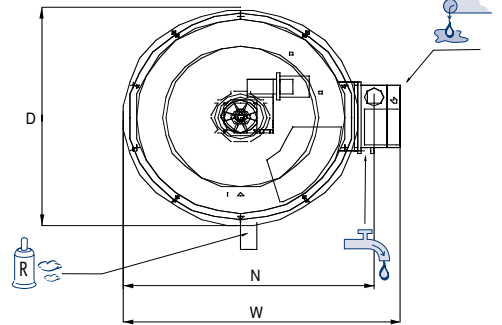
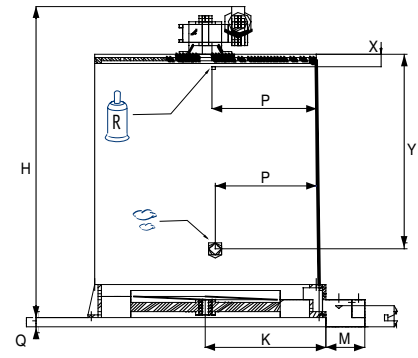
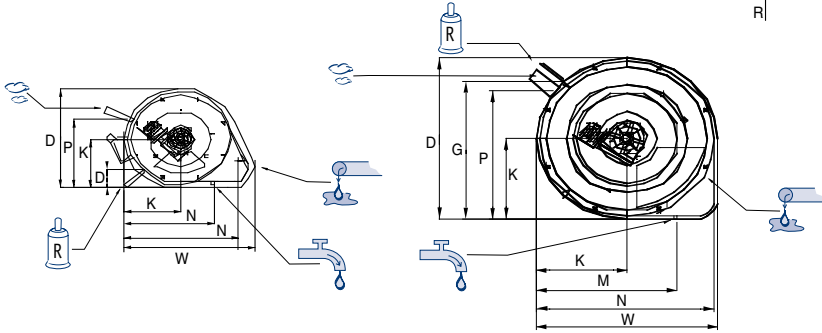
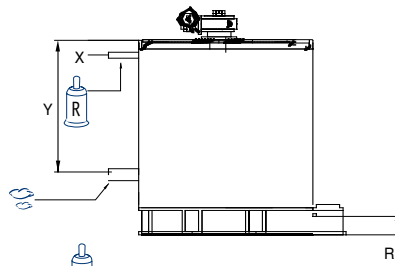


Models and specifications are subject to change without notice - Les modeles et les caracteristiques des appareils peuvent être changés sans préavis - Wir behalten das Recht vor jederzeit Änderungen der Modelle und der technischen Angaben vorzunehmen.
Los modelos y las características pueden ser modificados en cualquier momento sin previo aviso - I modelli e le specifiche possono essere cambiate in qualunque momento senza preavviso

EVE 201/301/401/651/801



EVE 1001/1301/1501



| | | Evap. Temp. (-28°C/-18°F) Water Temp. +15°C/+59°F [W] | W mm | D mm | H mm | M mm | N mm | P mm | Q mm | R mm | K mm | X mm | Y mm | Ice Outlet (Ø mm) | Inlet water Ø (inches) | Overflow Ø (mm) | Liquid Pipe Ø (mm) | Suction Pipe Ø (mm) | SCRAPER MOTOR [KW] | PUMP MOTOR [KW] | [kg] [lbs] | [kg] [lbs] |
|----------|-----------------|---|---------|---------|---------|---------|---------|---------|---------|---------|---------|---------|---------|----------------------|---------------------------|--------------------|--------------------------|---------------------------|--------------------------|-----------------------|-------------|-------------|
| EVE 201 | Expansion Valve | 10.000 | 900 | 784 | 1030 | 625 | 805 | 545 | 110 | 125 | 395 | 285 | 285 | 420 | 1/2 | 10 | 12 | 42 | 0,25 | 0,20 | 285 628 | 335 739 |
| EVE 301 | Expansion Valve | 14.600 | 900 | 784 | 1230 | 625 | 805 | 545 | 110 | 125 | 395 | 285 | 285 | 420 | 1/2 | 10 | 12 | 42 | 0,25 | 0,20 | 305 672 | 355 783 |
| EVE 401 | Expansion Valve | 19.800 | 900 | 784 | 1450 | 625 | 805 | 545 | 110 | 125 | 395 | 285 | 285 | 420 | 1/2 | 10 | 12 | 42 | 0,25 | 0,20 | 365 804 | 415 915 |
| EVE 651 | Expansion Valve | 33.500 | 1140 | 1080 | 1510 | 800 | 1110 | 840 | 235 | 140 | 540 | 335 | 275 | 670 | 1/2 | 10 | 16 | 60 | 0,37 | 0,20 | 650 1.433 | 730 1.610 |
| EVE 801 | Expansion Valve | 44.200 | 1140 | 1080 | 1710 | 800 | 1110 | 840 | 235 | 140 | 540 | 335 | 275 | 670 | 1/2 | 10 | 16 | 60 | 0,37 | 0,20 | 880 1.940 | 960 2.117 |
| EVE 1001 | Expansion Valve | 55.900 | 1260 | 1260 | 1790 | 975 | 1240 | 1005 | 1075 | 150 | 630 | 120 | 1050 | 840 | 3/4 | 10 | 28 | 89 | 0,55 | 0,20 | 1.030 2.270 | 1.150 2.535 |
| EVE 1301 | Expansion Valve | 67.500 | 1260 | 1260 | 2090 | 975 | 1240 | 1005 | 1075 | 150 | 630 | 120 | 1325 | 840 | 3/4 | 10 | 28 | 89 | 0,55 | 0,20 | 1.230 2.711 | 1.350 2.976 |
| EVE 1501 | Expansion Valve | 89.600 | 1260 | 1260 | 2290 | 975 | 1240 | 1005 | 1075 | 150 | 630 | 120 | 1430 | 840 | 3/4 | 10 | 28 | 114 | 0,55 | 0,20 | 1.350 2.975 | 1.470 3.240 |
| EVE 2401 | Expansion Valve | 133.800 | 1990 | 1680 | 2425 | 295 | 1795 | 745 | 90 | 160 | 854 | 120 | 1430 | 1030 | 3/4 | 10 | 28 | 114 | 0,75 | 0,20 | 2.400 5.250 | 2.620 5.732 |

| | | | | | |
|----------------|--|----------------|-----------------|--|-----------------|
| | | | | | |
| Minimum | | Maximum | Minimum | | Maximum |
| 2°C (36°F) | | 40°C (104°F) | -10% | | +10% |
| 5°C (41°F) | | 35°C (95°F) | 1 BAR 14 psi | | 5 BAR 70 psi |

Features:
AISI 304 Stainless steel evaporator complete of expansion valve /refrigerant level control (R404a/R22); base and cover in Peralluman; dosing water pump; dripping-pan; gear-motor with system for ice-scraper rotation; All versions are certified CE/PED.

Caractéristiques:
évaporateur en acier inox AISI304 complet de détendeur /contrôle de niveau (R404a/R22); basement et couvercle en Peralluman; pompe dosage eau/sel; bassin écoulement eau; moteur qui entraine fraise hélicoïdale acier. Tous les modèles sont certifiés CE/PED.

Technische Beschreibung:
Verdampfer aus AISI 304 Edelstahl komplett mit Expansionsventil und Kältemittelfüllstandsanzeige (R404a / R 22). Rahmen und Abdeckung aus Peralluman. Dosierpumpe für Salz /Wasser. Auffangschale. Getriebemotor mit Eisbrechereinheit. Alle Modelle sind zertifiziert mit CE/PED.

Características Técnicas:
Evaporador de acero AISI 304 compuesto de válvula termostática/control de nivel (R404a/R22); base y tapa de Peralluman; bomba alimentación agua/sal; bandeja desagüe; motor rotación rompe-hielo de acero inox. Todos los modelos están certificados CE/PED.

Caratteristiche tecniche:
evaporatore in acciaio inox AISI304 completo di valvola termostatica/regolatore di livello (R404a/R22); base e coperchio in Peralluman; pompa dosatrice acqua/sale; ghiotta raccogli condensa; motoriduttore per rotazione rompi ghiacchio in acciaio inox. Tutte le macchine sono certificate CE/PED.

Scotsman® The one the world relies on.
Ice Systems

Certified ISO 9001:2000

For further information about this product please contact **IDROMAGIC AUSTRALIA**
Tel : (03) 9795 1397
Fax : (03) 9795 0697
Address : 17 Murray Rd, Dandenong North Victoria 3175
E-mail : idromagic@optusnet.com.au
E-mail : idromagic@bigpond.com.au